

L-20

Lidex Level Alarm Switches

The Lidex L-20 series liquid sensing switches are specially designed for marine applications requiring a reliable liquid level alarm detection solution. The Lidex level switches perform well in applications where:

- ✓ High Level Alarm or overflow alarm detection capability is required from single instrument
- ✓ Water ingress detection usable in all ship types with compact sensor footprint for mounting at difficult to reach locations
- ✓ Level Detection in service tanks since Lidex switches are insensitive to conductivity



The L-20 switches operate using mechanical wave propagation inside stainless steel probe. The design is fully static, without vibration or moving parts. A "self-monitoring" function ensures reliability for using sensors in safety systems. The principle used is positive safety whereby any failure of probe, electronics or transducer triggers alarm, eliminating periodical cleaning or manual testing. The compact and small sensor diameter allows installations through smaller holes in tanks walls and roofs. The proven Lidex technology is insensitive to changes in density, temperature or pressure, doing away with the need for calibration and ensuring quick and simple commissioning.

TECHNICAL SPECIFICATIONS

Ambient Temperature	- 25°C to + 70°C
Product temperature	- 40°C to + 150°C
Maximum pressure	25 bar
Probe Lengths	75mm / 120mm / 200mm
Power Supply	10 to 36V DC (28V DC Max. for I.S.)
Accuracy	+/- 2mm
Output Options	8mA/16mA current 16mA/8mA current NC Relay contact NO Relay contact
Protection Class	IP65
Materials	Probe: Stainless Steel SS316L Head: Aluminium
Weight	0.7 Kg.

SPECIAL FEATURES

Operational Features	✓ Insensitive to: ✓ Vibrations ✓ Shocks ✓ Electrical disturbances
Safety Features	✓ Fail-safe operation (6mA/18mA Option Only) ✓ No moving parts
Mounting	✓ Horizontal OR Vertical
Process Connection	1/2" BSPT

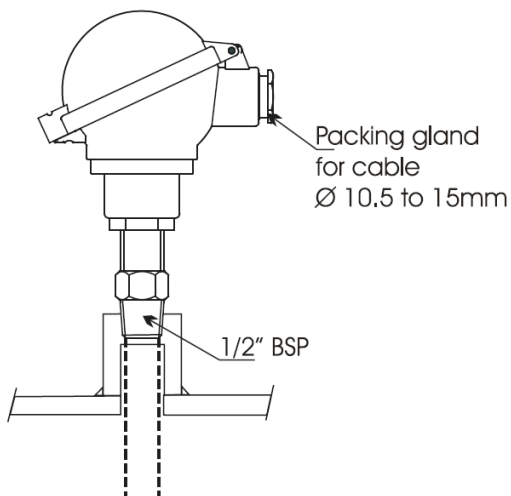
APPROVALS

Intrinsic Safety Approval	ATEX, IECEx. II 1 G D Ex ia IIC or IIB T6 or T5 or T4 Ga Ex ia IIIC T80°C or T95°C or T130°C Da
---------------------------	--

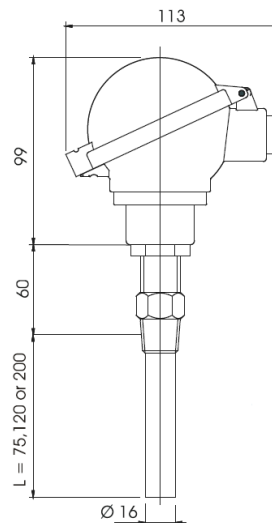
DOCUMENTATION

Installation manual	322444E
Maintenance manual	322444E

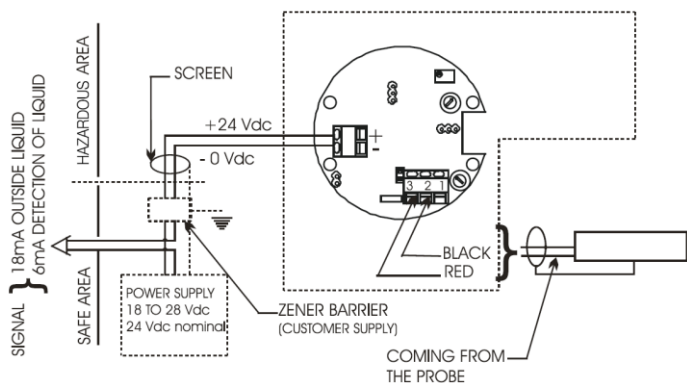
MECHANICAL CONNECTIONS



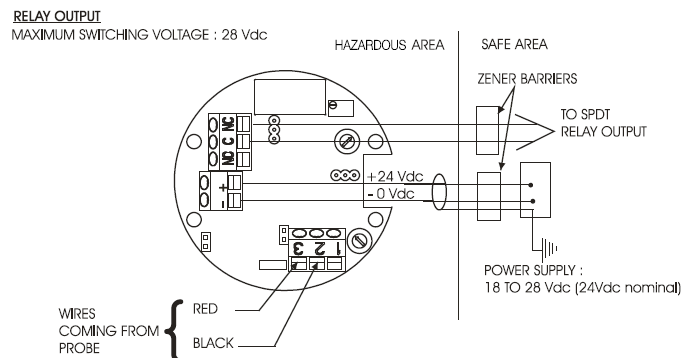
MECHANICAL DIMENSIONS



ELECTRICAL CONNECTIONS - CURRENT



ELECTRICAL CONNECTIONS - RELAY



Neohance B.V
Olivijn 522
3316 KH Dordrecht
the Netherlands

T: +31(0)85 - 76 06 236
M: +31(0)6 86 83 92 17
E: sales@neohance.tech

This document is not intended to be used for installation purposes. We try to keep our product information up-to-date and accurate. We cannot cover all specific applications or anticipate all requirements. All specifications are subject to change without notice.

L-20-HM-22-03-01-PIB-EN; 12/2022
©2022 Honeywell International Inc.

