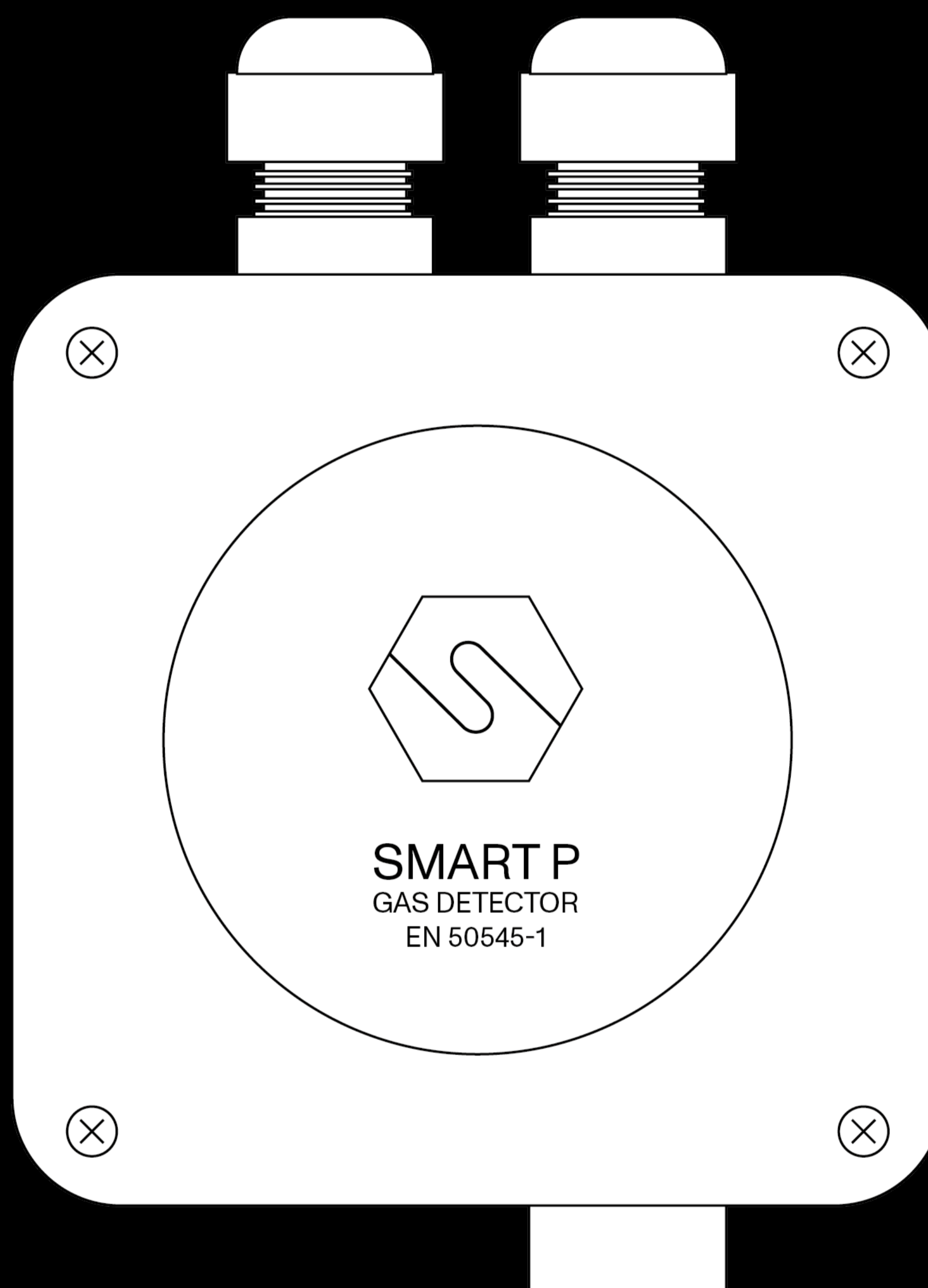


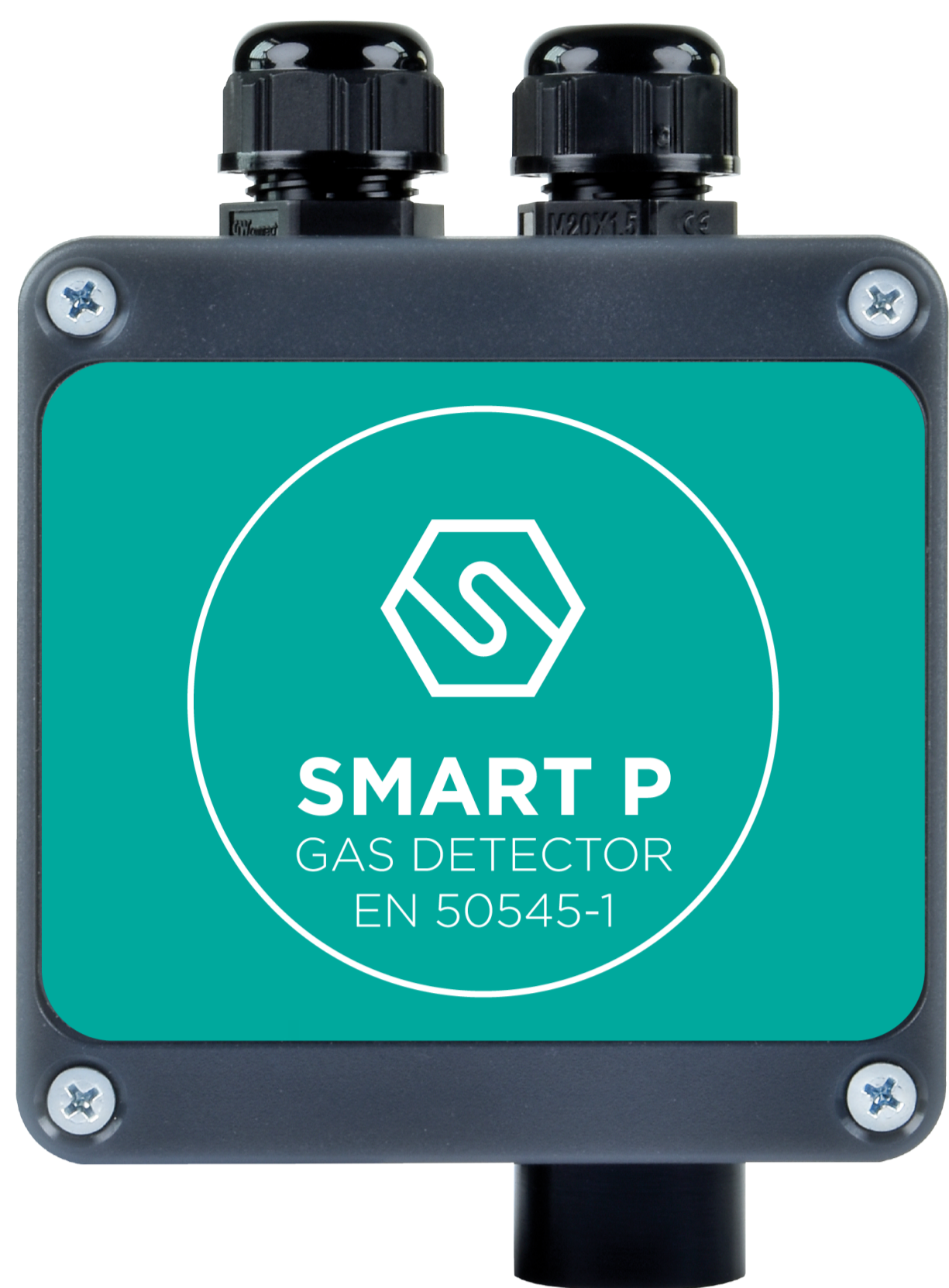
SMART P-1

Toxic gas detection in car parks



Datasheet





The SMART P-1 gas detector is designed to be installed in car parks. It is compliant with the EN 50545-1 standard, which defines the requirements for the detection of CO and NO₂ in car parks and tunnels. In order to assure a precise and accurate reading, SMART P-1 detectors employ reliable electrochemical cells. The EN 50545-1 standard defines the values of the alarm thresholds for CO and NO₂, and defines the activation of the alarms as a function of the time-weighted average of the gas concentration detected. The SMART P-1 has a 12-24 Vdc power supply and an RS485 digital signal output. The detectors are housed in polycarbonate enclosures complete with two M20 cable glands.

Sensor	
Application	Car parks
Sensing element	Electrochemical cell
Predicted sensor lifetime	EC: 2 / 3 years
Gas detected	CO, NO ₂
Fullscale	CO: 0 - 300 ppm NO ₂ : 0 - 30 ppm
Electrical data	
Power supply	12-24 Vdc
Output	RS485 serial output
Absorption	32 mA at 24 Vdc
Optical indications	-
Acoustic indications	-
Hall effect sensor	-
Environmental conditions	
Storage temperature	0 / +20°C up to six months
Operating temperature	-20 / +50°C
Operating humidity	15 / 90 %RH
External case	
Material	Enclosure: Polycarbonate Sensor head: Polycarbonate
Dimensions	Box: 100 x 100 x 52 mm Cover: 105.8 x 105.8 x 7.8 mm
Weight	250 g
Cable entries	2 x M20
IP grade	IP55



Compliance

EMC EN 50270:2015

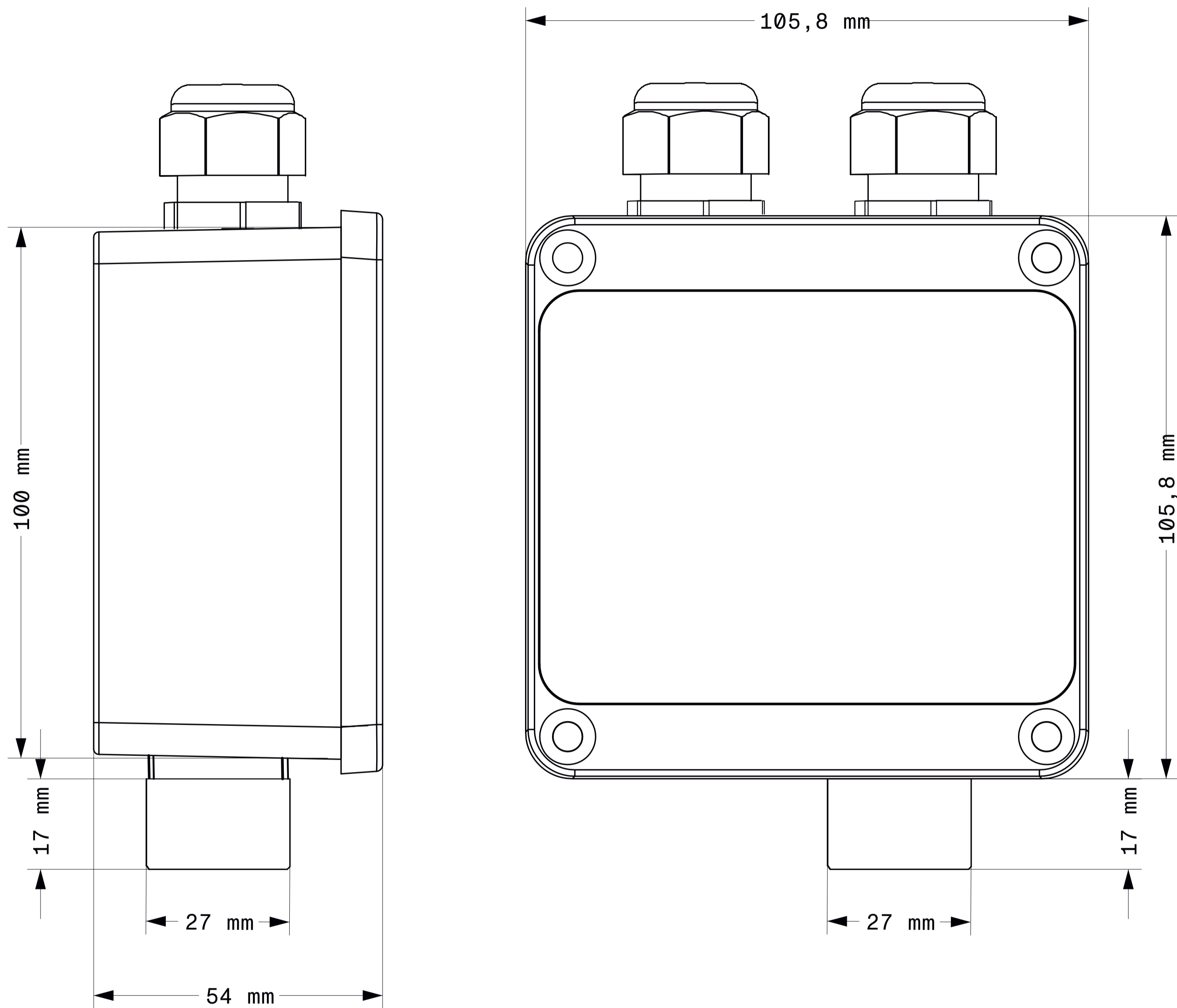
Car park standard EN 50545-1:2011 + A1:2016

Product codes

S2398CO CO (0-300 ppm) gas detector

S2399ND NO₂ (0-30 ppm) gas detector

Mechanical drawings



Contatti/Contacts



Neohance B.V.
Olivijn 522
3316 KH Dordrecht
the Netherlands

T: +31(0)85 - 76 06 236

M: +31(0)6 86 83 92 17

E: sales@neohance.tech

